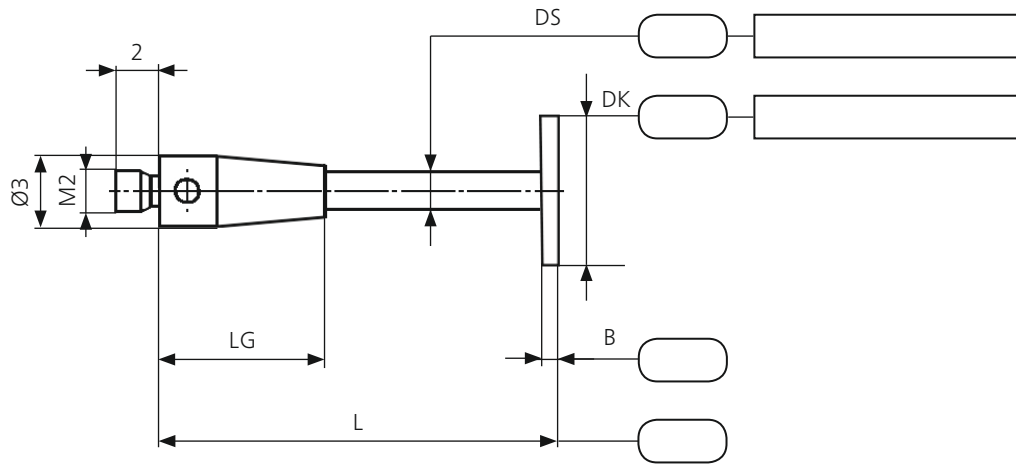


M2 disc styli / M2 cylindrical styli / inquiry

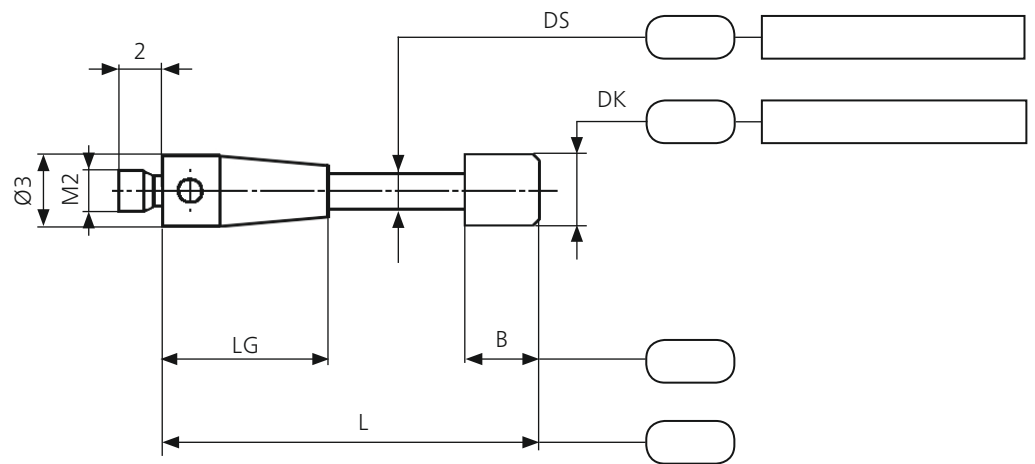
disc styli M2

Quantity:



cylindrical styli M2

Quantity:



Company:

Department:

Name, First:

Address:

City / Zip

Phone:

Fax:

E-mail:

Fax inquiry:

Please fill in the specifications into the right fields. Mark the desired ball and shaft material. Sign the desired quantity into the fields on the top of the page. Print the page.

Send the fax inquiry to:

+49 7361 6336 29



We make it visible.